



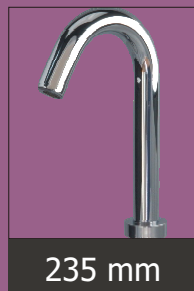
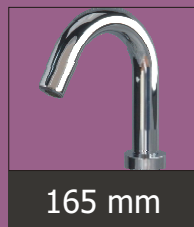
Try before you Buy Warranty*



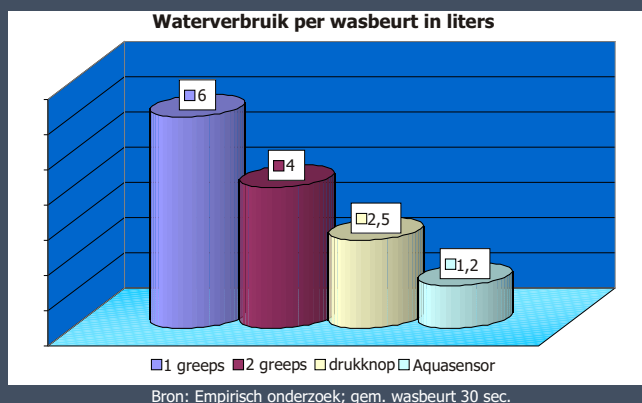
We can give you this unique warranty because we are convinced of the quality of our products. You will have a testing period of 14 days after purchase. If for any reason our products does not come up to your expectations than you get your money back. Ask our sales department for more information, or call your local store.

*Only available in countries where we have a sales agent.

H.O. Industries BV
 Satellietbaan 6
 2181 MH Hillegom
 The Netherlands
 tel 00(31)252-700269
 www.aquasensor.eu
 info@aquasensor.nl



Aquasensor product features



HYGIENIC

On and off automatically, operate without touch, prevents contact contagion. No transfer of bacteria en virusus.

WATER-SAVING, ENVIRONMENTALLY CONSCIOUS

Up to 80% less waterconsumption compared to a conventional tap.

ECONOMICAL

Less water-consumption means lower

costs and less waste water.

Intelligente elektronics: controls sensor response, energy consumption and sensitivity.

Micro elektronics: cast in 2-component synthetic material and thus are fully protected against external influences.

Shut-off safety: so called anti-vandalism function. After 60 sec of continues waterflow the faucet will shut itself off automatically. Automatically reset after 10 sec. without sensor activity.

24 Month Manufacturer's Warranty



H.O. Industries BV shall indemnify the product for 1 year of manufacturing defects. Should there be within 24 months from date of purchase a failure due to a error in our production process we will exchange your faucet free of charge for a new one. (The cost for mounting are excluded from this warranty clause).

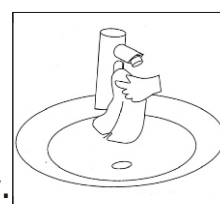
AQUASENSOR infrared-sensorfaucets are a product off H.O. Industries BV. H.O. Industries BV is a Dutch product development and marketing organisation which has decided to introduce this exclusive collection of taps into the market, based on extensive market research and many years of experience. The Sensor Taps are produced entirely under our own control. Because of our intensive preparations, we are convinced we can offer a top product at a very attractive price without any concessions to its quality.

We aim to bring the hygiene of sanitary facilities on a higher level.

Maintenance of your sensor faucet

Your electronic sensor faucet is a high top product and should therefore be maintained properly. Please adhere to the following guidelines in order to ensure many years of trouble-free operation.

After installation wipe the sensor clean with a soft, dry cloth. The sensing distance is affected by a dirty display.

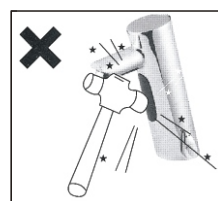
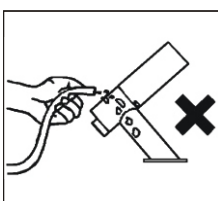


Do not use acids or alkaline substances to clean the faucet.



For proper operation the sensor display must be free of obstacles.

Do not spray directly with water.



INSTALLATION IN 4 STEPS

IMPORTANT

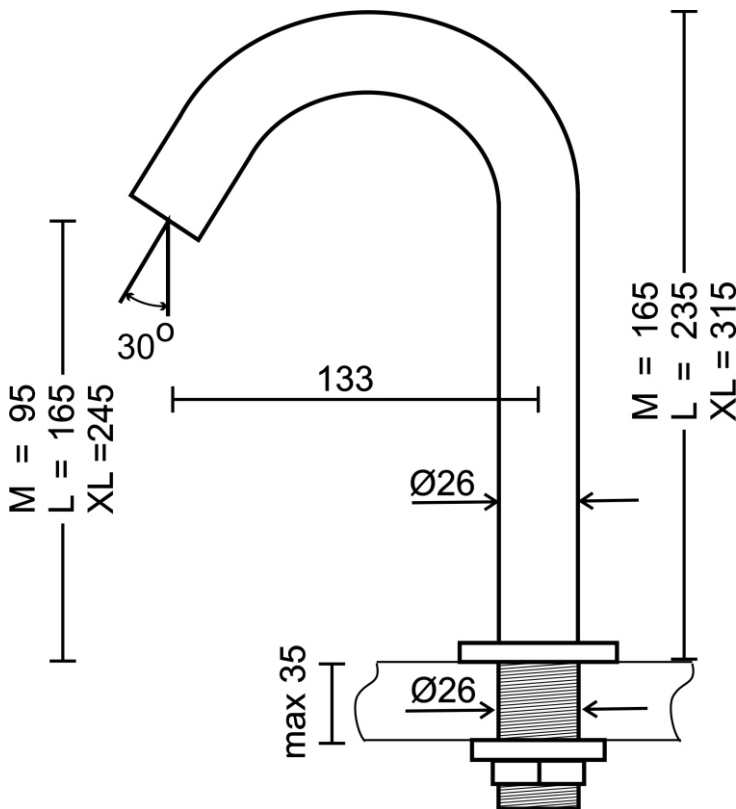
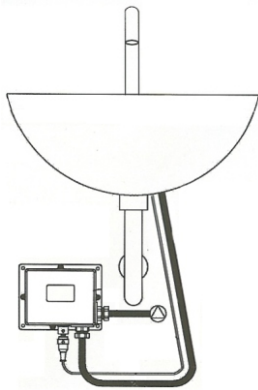
Mount in a frost-free room.

Do not expose the sensor to direct sunlight.

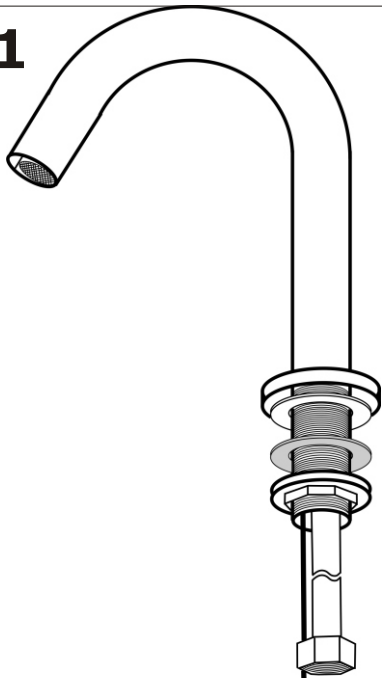
Rinse the pipes before connecting the faucet.

Do not let the electrical connections get into contact with water.

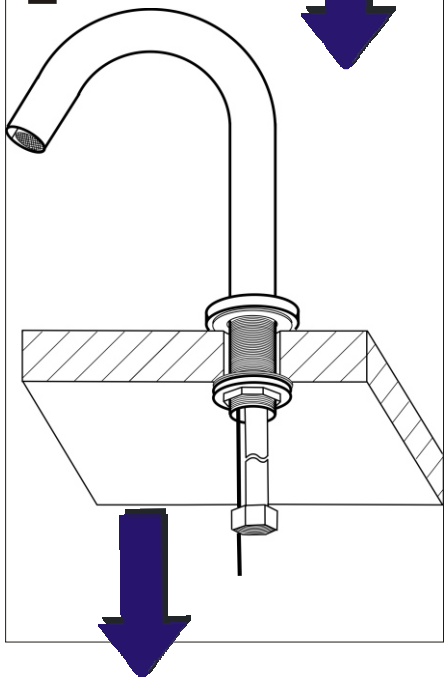
installation diagram



1

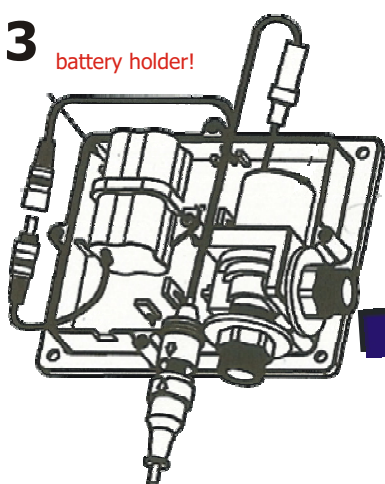


2

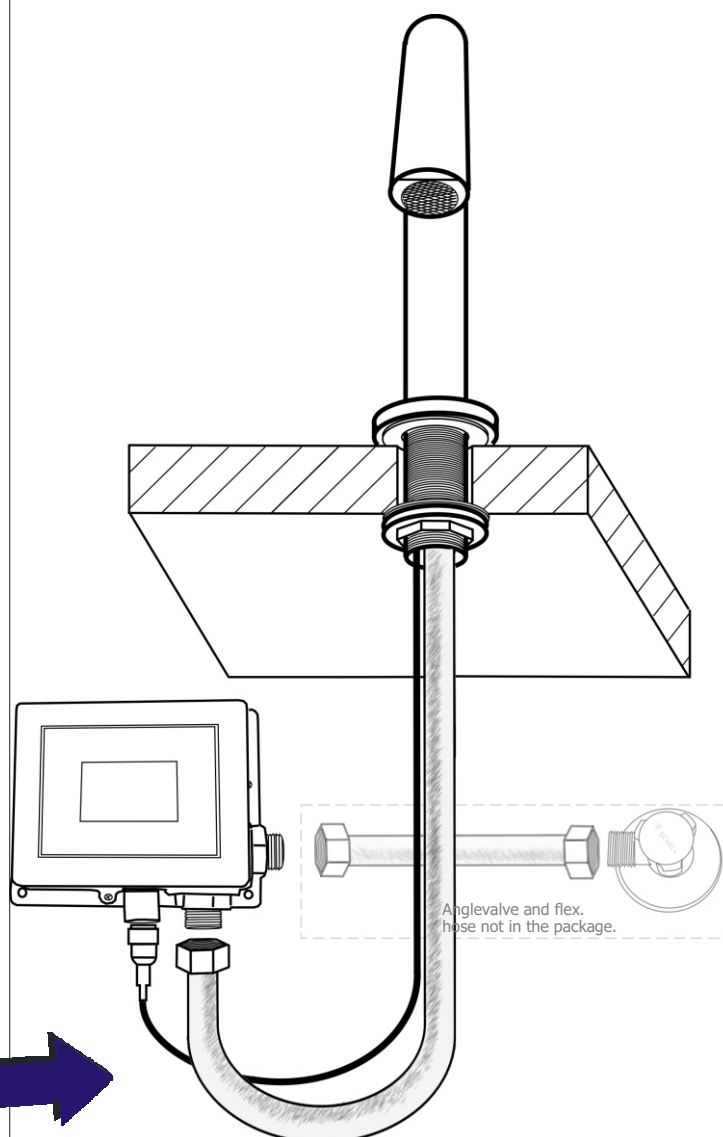


3

battery holder!



4



As soon as the power is the device gets into a self-test-stage. The optimum detection zone is now set automatically. Make sure that no foreign objects are in front of the sensor as this may affect the detection distance. It can take up to about 1 minutes before the optimum setting is reached. During this time the solenoid valve could open and close

AQUASENSOR

model Funis-Floor

Without mixing. Controlbox under the sink.

Waterpressure	0.5-8 bar
Wartemperature	0-80° C
Room temperature	1-55° C
Reactiontime shut-on	0,5 sec
Reactiontime shut-off	1,0 sec
Max. continuous flush	60 sec
Detection zone	8-18 cm. Automatic
Power supply	DC 6V (4 battery AA-LR6 Alkaline)
Lifetime batteries	ca 100.000 cycli (open and close)
Sinkhole diameter for tap	26 mm
Connection to control box	flexibele hose with union 1/2" with filter
Dirtfilter	in waterinlet control box

Fault table

Failure	Cause	Solution
No water	Batteries empty	Replace batteries
	Batteries incorrectly inserted	Watch polarity (+ and - pole)
	Polution on dirt filter	Clean filter
	Sensordisplay dirty or covered	Clean sensordisplay
Small waterflow	Waterpressure to low	Outside problem. Connect to others.
	Polution on dirt filter	Clean filter
	Stopvalve (not included with this product)	Turn-on stopvalve more open
Too much water	Stopvalve (not included with this product)	Turn-off stopvalve more close
Short battery life	Wrong batteries	Use Alkaline batteries of the same brand. Type AA

