

Our mission: to deliver high-quality sensor faucets and washtroughs through lean production at very attractive prices. Either maximum customer value by giving the minimal possible waste of raw materials and costs of overhead.



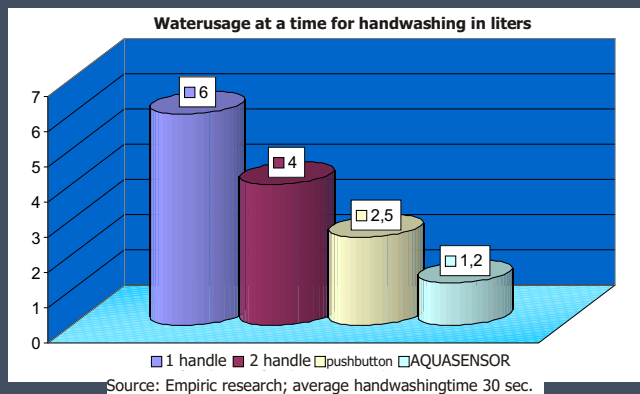
24 Months Product Warranty*



H.O. Industries BV
 Satellietbaan 6
 2181 MH Hillegom
 Netherlands
 tel 00(31)252-700269
 www.aquasensor.nl
 info@aquasensor.nl

H.O. Industries BV shall indemnify the product for 2 years of manufacturing defects. Should fail within 24 months from date of purchase due to a error in our production process we will exchange your faucet, free of charge for a new one. (The cost for mounting are excluded from this warranty clause).

Aquasensor product features



HYGIENIC

On and off automatically, operate without touch, prevents contact contagion. No transfer of bacteria en virusus.

WATER-SAVING, ENVIRONMENTALLY CONSCIOUS

Up to 80% less waterconsumption compared to a conventional tap.

ECONOMICAL

Less water-consumption means lower costs and less waste water.

Intelligente elektronics: controls sensor response, energy consumption and sensitivity.

Micro elektronics: cast in 2-component synthetic material and thus are fully protected against external influences.

Shut-off safety: so called anti-vandalism function. After 60 sec of continues waterflow the faucet will shut itself off automatically. Automatically reset after 10 sec. without sensor activity.

Empty battery indicator: flashing LED every 4 sec indicates batteries need to be replaced. At low-voltage the faucets will shut itself off.

Maintenance of your stainless steel washtrough

Scratches: The scratches that arise on stainless steel are often very shallow, created by the daily use and over time to be less visible. Stainless steel developed a patina over time, the first months are going to be the scratches still additional stand out, but by the time and use the stainless steel will ever become more beautiful. One of the best ways to clean stainless steel is by, at least once a week, Cif or other liquid abrasive cleaner to use. After cleaning the stainless steel then buff with a clean dry cloth for a shiny and clean result.

Rust Spots: The material used for the troughs is 18/10 chrome/nickel steel what metallurgical is not able to rust under normal circumstances. However, it is possible that rust dots on the stainless steel. This caused by iron particles that can sit in the water and left behind after the installation of the waterpipe or e.g. by scraps left behind when using cleaningpaths. These particles are fixed on the stainless steel surface and will when not removed create oxidation which shows itself as rust dots. To remove the rust dots you can use in Cif or other liquid abrasive.

Prevent:

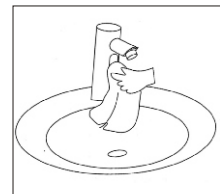
- Salt, vinegar, sour fruit juices, mustard, sweet and sour pickles to leave on the stainless steel surface to avoid corrosion.
- Use of harsh cleaning agents such as chlorine, bleach, scouring pads.
- Use of hard, sharp objects that can damage the stainless steel .



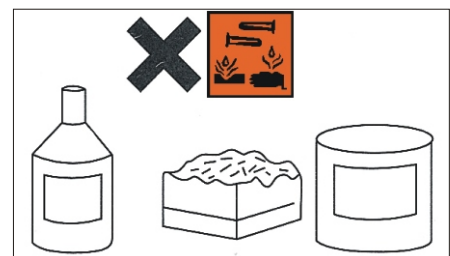
Maintenance of your sensor faucet

Your electronic sensor faucet is a high top product and should therefore be maintained properly. Please adhere to the following guidelines in order to ensure many years of trouble-free operation.

After installation wipe the sensor clean with a soft, dry cloth. The sensing distance is affected by a dirty display.



Do not use acids or alkaline substances to clean the faucet.



For proper operation the sensor display must be free of obstacles. Do not spray directly with water.



EMC (2004/108/EG)

INSTALLATION IN 3 STEPS

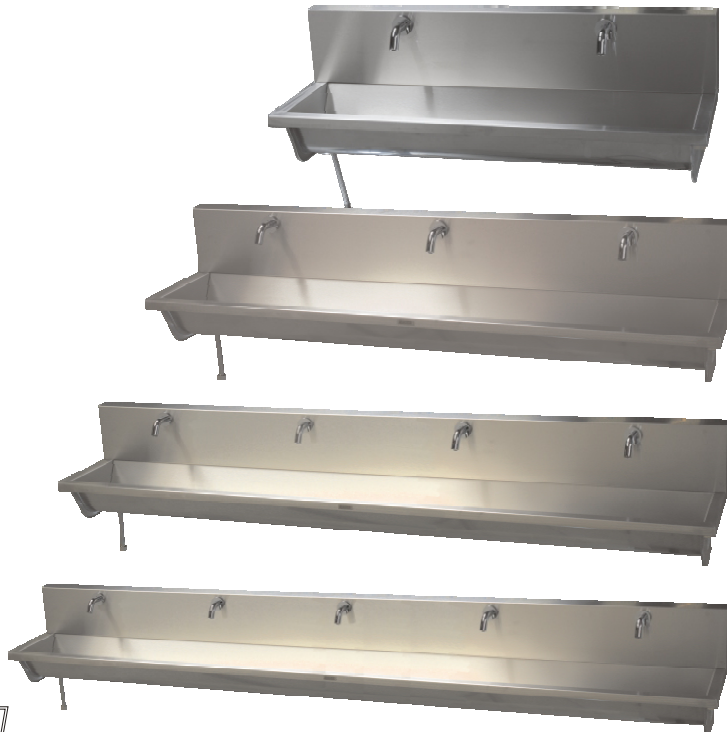
IMPORTANT

Mount in a frost-free room.

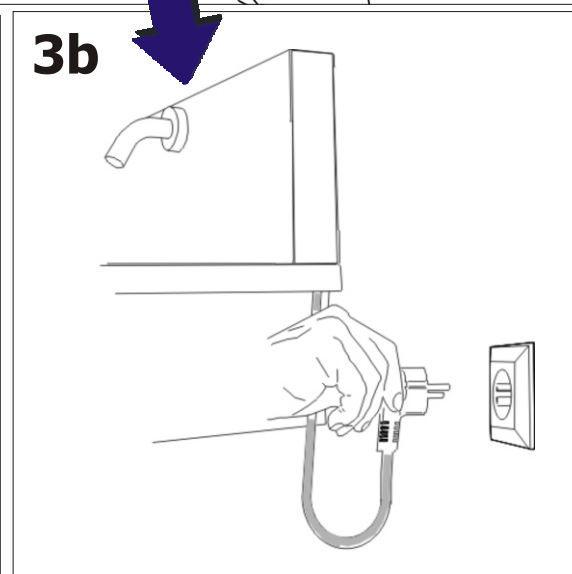
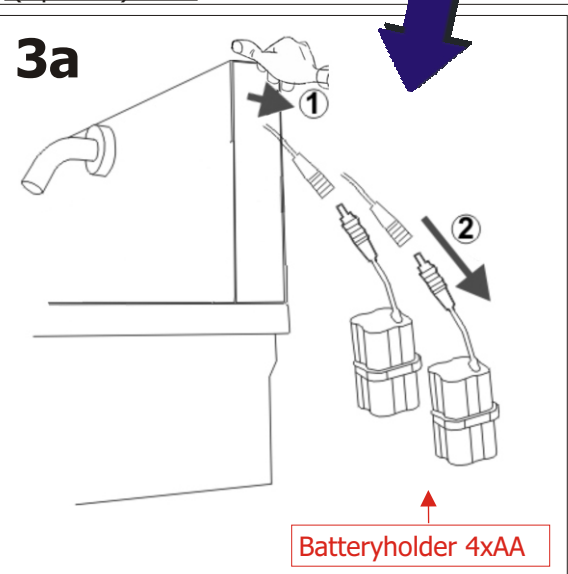
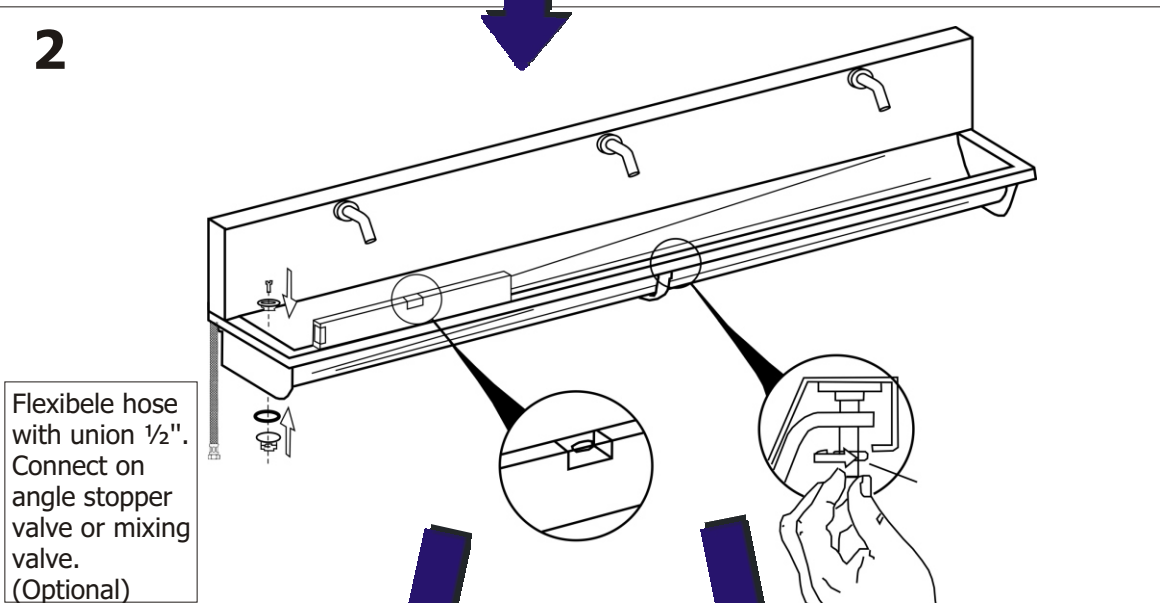
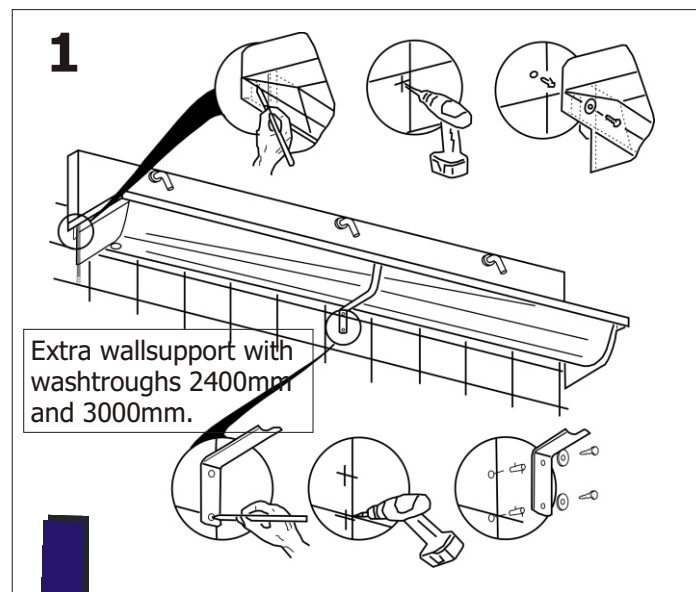
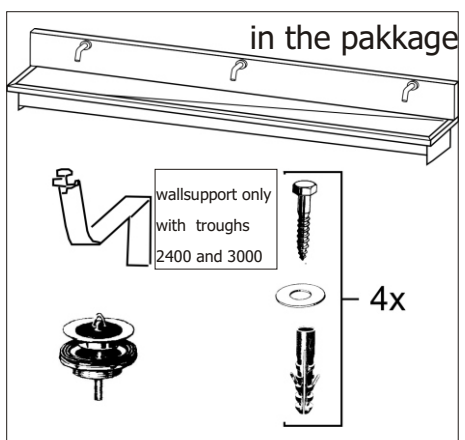
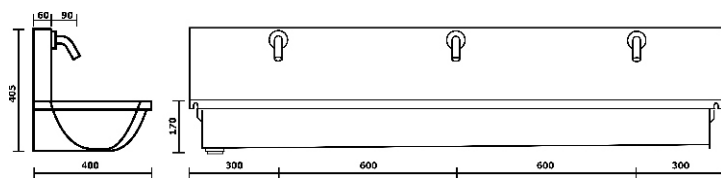
Do not expose the sensor to direct sunlight.

Rinse the pipes before connecting the faucet.

Do not let the electrical connections get into contact with water.



	number of faucets	length
Trog 2d	2	1200 mm
Trog 3d	3	1800 mm
Trog 4d	4	2400 mm
Trog 5d	5	3000 mm



As soon as the power is the device gets into a self-test-stage. The optimum detection zone is now set automatically. Make sure that no foreign objects are in front of the sensor as this may affect the detection distance. It can take up to about 30 seconds before the optimum setting is reached.

AQUASENSOR model Trough

Without mixing. Pre-assembled. Plug & Play.

Waterpressure	0.5-8 bar
Wassertemperature	0-80° C
Room temperature	1-55° C
Reactiontime shut-on	0,5 sec
Reactiontime shut-off	1,0 sec
Max. continuous flush	60 sec
Detection zone	8-18 cm. Automatic
Power supply	DC 6V (4 battery AA-LR6 Alkaline)
Lifetime batteries	ca 100.000 cycli (open and close)
Connection to waterpipe	flexibele hose with union 1/2" with filter
Dirtfilter	in union of flexible hose

Fault table

Failure	Cause	Solution
No water	Batteries empty	Replace batteries
	Batteries incorrectly inserted	Watch polarity (+ and - pole)
	Polution on dirt filter	Clean filter
	Sensordisplay dirty or covered	Clean sensordisplay
	Waterpressure to low	Outside problem. Connect to others.
Small waterflow	Waterpressure to low	Outside problem. Connect to others.
	Polution on dirt filter	Clean filter
	Stopvalve (not included with this product)	Turn-on stopvalve more open
Too much water	Stopvalve (not included with this product)	Turn-off stopvalve more close
Short battery life	Wrong batteries	Use Alkaline batteries of the same brand. Type AA

